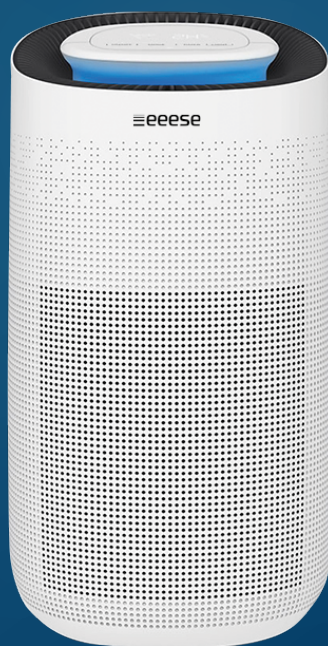


 eeese

User manual  
**Air Purifier Vigma**

Art. 2516



Thank you for choosing this product.  
Please read this instruction manual before using it.



Read the user manual before use, refer to the corresponding section of these user instructions.



Recycle unwanted materials instead of disposing of them. All appliances and packages must be sorted and delivered to a regional recycling centre and processed in an environmentally friendly manner.



The product complies with the applicable EU directives and other provisions.

## Table of contents

1. Safety instructions .....	56
2. Parts list .....	58
3. Before operation .....	60
4. Operation Instructions .....	61
5. Cleaning .....	65
6. Storage .....	65
7. Troubleshooting .....	66
8. Technical specifications .....	67
9. Service .....	67
10. Warranty .....	67

## 1. Safety instructions

---

### Warning

This appliance is intended for indoor use only in private homes. Any other use is not recommended by the manufacturer and may cause fire, electric shock, or other personal injury or damage.

---



**Warnings**

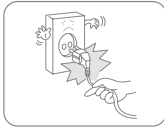


**Wet hands are not allowed**

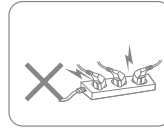


**Warning**

## Power cord



Do not try to unplug the power cord from the wall socket.



Do not connect the appliance to an overloaded extension lead.



Do not place heavy objects on the power cord in order to avoid safety risks.



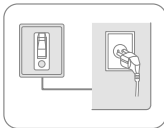
Do not use the appliance if the power cord cannot be securely fastened in the plug socket.



Do not attempt to replace the power cord, contact the authorised service workshop for repair.



Do not touch the plug with wet hands in order to avoid electric shock.



The socket must be grounded and properly secured.



Unplug it during lightning storms.

## Location



Do not place flammable and explosive objects around the appliance in order to avoid fire.



Place the appliance on a stable, flat surface.



Do not use the appliance in locations with a draught.



Do not use the appliance in swimming pool or similar facilities in order to avoid safety hazard.

### During use



Turn off the power and unplug the power cord before moving the device.



Do not pour water into the appliance in order to avoid malfunction.



Children should be supervised to ensure that they do not play with the appliance.



Do not place heavy objects on the appliance in order to avoid malfunction.



The apparatus must not be knocked over or subjected to impact or shock in order to avoid malfunction.



The appliance must not be covered when in use.

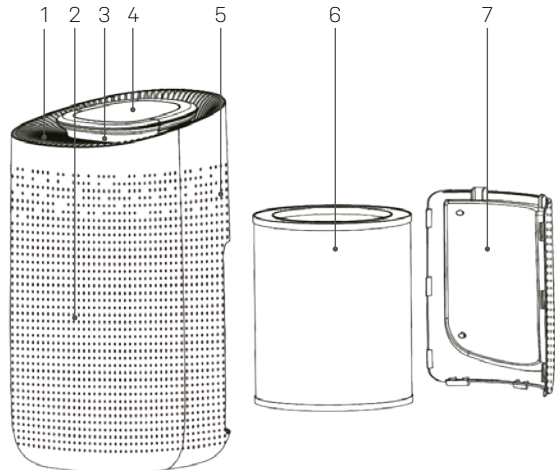


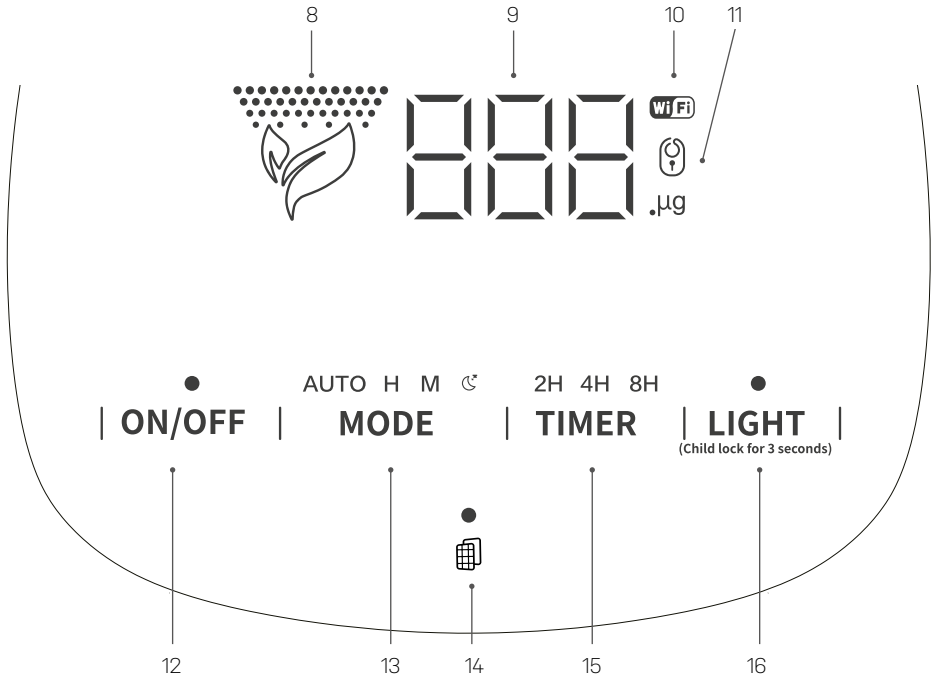
Do not place your hands on the air outlet in order to avoid damage or malfunction.

## 2. Parts list

### Components

1. Air Outlet
2. Air Inlet
3. Light
4. Control Panel
5. Laser Sensor
6. HEPA filter
7. Back Cover





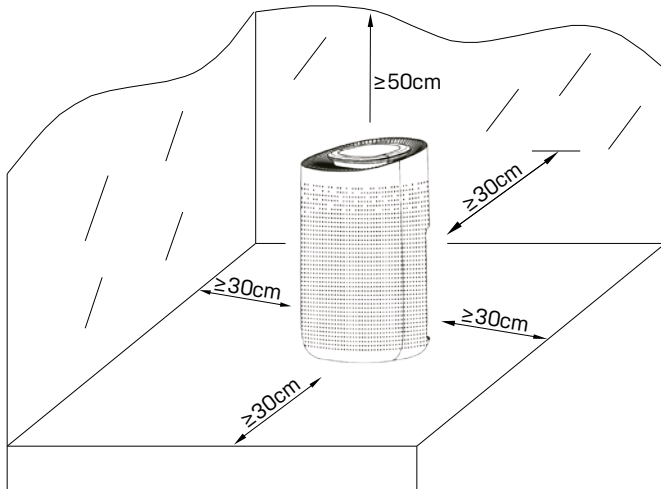
**Control Panel**

- 8. Light Mode Indicator
- 9. Particle Measurement

- 10. WiFi Indicator
- 11. Child Lock Indicator
- 12. On/Off Button
- 13. Wind Speed Button

- 14. Filter Button
- 15. Timer Button
- 16. Light Button

### 3. Before operation

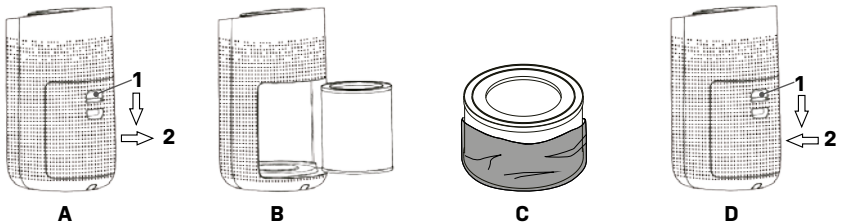


- Place the air purifier in an upright position on a stable, flat surface.
- Ensure the air purifier is at a safe distance at least 30 cm away from a wall or furniture and with at least 50 cm space above the machine.
- Supply power should be in correspondence with the value on the nameplate, power outlet needs to be grounded.

#### Filter installation

**Before using, remove the package of the filter (C).**

Ensure the machine is unplugged before removing or installing the filter.



- A)** 1 - Press the button down. 2 - And pull the cover. **B)** Remove the filter. **C)** Remove the packaging from the filter and put the filter back in the unit. **D)** 1 - Press the button down. 2 - And push the cover back in place.

## 4. Operation Instructions

### Switch On / Switch Off the unit

Connect the power, all indicators will be on for 1 second and then off. After that, the unit will be in standby mode



Press the power button (A), the machine turns on at mid wind speed/default mode (B), meanwhile, the buzzer rings for one time and the indicator will be on.

### Wind speed



Press the wind speed button (A) to select between: Auto, High (H), Mid (M) and Sleep (moon icon).

Auto mode regulates the wind speed accordingly to the number of particles in the air registered by the laser sensor. High and Mid speed is a fixed speed. Sleep mode runs in slow speed and shuts off all the lights on the unit.

### Timer - shut off



Press the timer button (A) to select between: 2hr, 4hr or 8hr shut off.

### Light mode



Press the light mode button (A) and change between standard, soft and off mode.

### Child lock



Press the light button (A) and hold it for 3 seconds until the child lock indicator (B) shows up. Turn off the child lock by pressing the light button and holding it for 3 seconds.

### Filter indicator



It is time to change the filter when the filter indicator (A) starts flashing. It does so after a lifespan of 2200 hours.

Once the filter is replaced, reset the filter lifespan. Press the filter button (A) and hold it for 7 seconds until the filter indicator stops flashing.



The air purifier will not stop working, but it is highly recommended to replace the filter or it will result in poor performance.

### Wifi



Press the Timer button and hold it for 5 seconds, the WiFi indicator (A) will turn on.



If you turn off the machine, the WiFi function needs to be reset when you turn on again. Read the "Connecting with Smart Life app" section on how to connect the phone with the unit.



## Connecting with Smart Life APP

1. Scan the QR code (A) to download "Smart Life" APP. You can also find "Smart Life" in either APP store or Goolge Play.

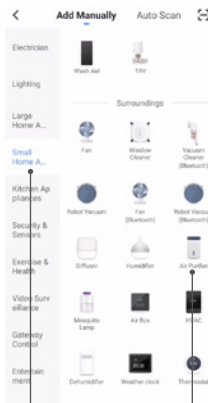


A

2. Open the "Smart Life" APP, tap "Register" to register a "Smart Life" account with your phone number or E-mail. Then sign in the APP.
3. Open the "Smart Life" APP, click "add device" or tap "+" on the top right corner of the APP. There are two ways to add a unit: "Add Manually" or "Auto Scan".

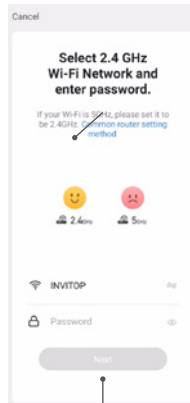
### Add unit manually

Find the unit in the "Small Home Appliances" category (A) the unit is named "Air Purifier" (B). Follow the installation instructions in the APP (C). When appearing "Add 1 devise succesfully", it means the connection is completed and the unit will be listed in your APP list.



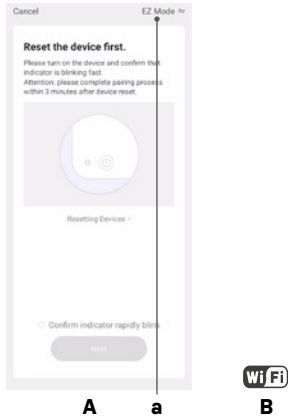
A

B



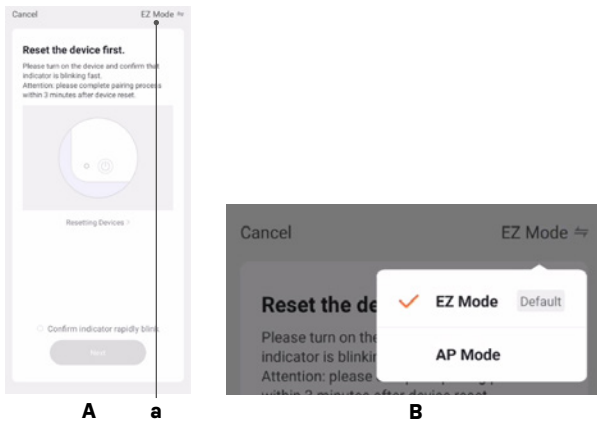
C

If there any difficulties connecting, follow the instructions in the APP (A). Make sure the WiFi indicator (B) is flashing on the unit. If this does not resolve the issue, press the connecting mode (Aa) to change it to "AP Mode" - read next section.



### Connect unit to AP mode

1. If the default "EZ Mode" fails to connect try to connect to "AP Mode".
2. Press the WiFi button for more than 5 seconds until WiFi indicator starts to flash slowly.
3. Press the "EZ Mode" (Aa) to change the connecting mode to "AP Mode" (B) and follow the instructions in (A).



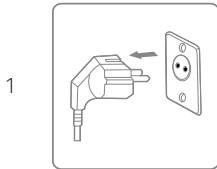
4. When appearing "Add 1 devise successfully", it means the connection is completed and the unit will be listed in your APP list.

## 5. Cleaning

### IMPORTANT!

The HEPA filter needs to be replaced when the filter indicator starts flashing after 2200 hours. This guarantees sufficient air purifying efficiency.

When the appliance is used regularly, the filter can become clogged with dust and particles. Therefore, the filter should be cleaned at least every two weeks. Follow these steps:



Turn off the unit and unplug it before cleaning.



Clean the cabinet with a soft, dry cloth. If the unit is very dirty, use a mild detergent. Wipe the dehumidifier with a slightly damp cloth. Never spray water on the unit.



Remove the HEPA filter and clean with a vacuum cleaner.

## 6. Storage

If the unit will not be used for an extended period, do the following:

5. Unplug the unit.
6. Clean the air filter with a vacuum cleaner.
7. Make sure the device is in perfect condition so that it is safe to use again after a long storage period.
8. Store the unit in appropriate packaging.
9. Store the unit in a dust-free place and out of direct sunlight. It is recommended to cover it with a piece of plastic.

## 7. Troubleshooting

Before contacting technical Support, check the following.

PROBLEM	POSSIBLE CAUSE	SOLUTION
Not working	Is it plugged into a power socket?	Plug into the socket.
	Is there a power outage?	Wait for the power to return
	Burned fuse?	Check and change the fuse.
	Is the filter change indicator flashing?	Replace the filter.
Poor performance	Is there any dust in the surface of the air inlet?	Clean the air inlet
	Is there any obstacle blocking the airinlet/outlet?	Remove any blocking objects.
Significant noise	Is there anything stuck on the fan in the air outlet?	Remove any blocking objects.
	Is the machine tilted?	Place Vigga in the right position
	Set Vigga at a lower wind speed if the noise is too loud	
Nasty smell	New machines tend to smell of plastic.	Give it time
	Is the filter dirty?	Clean the filter with a vacuum cleaner or replace the filter.
	Burning smell?	Unplug Viga and contact the support center
Flashing light after filter replacement	Reset Vigga by holding the power button down for 7 seconds. The filter lifetime will now start from the beginning.	

---

### IMPORTANT!

Please do not try to repair the unit by yourself to avoid any risk.

---

## 8. Technical specifications

Model Vigga, Item No.	2516
Recommended working area, m <sup>2</sup>	2 ~ 50
CADR m <sup>3</sup> /h	400
Wifi	Yes
Power W	50
Power supply V/Hz	100-240 / 50-60
Timer h	2 / 4 / 8
Noise level dB(A)	29~61
Operating temperature °C	-10-50
Net Weight kg	4.6
Size (WDH) mm	270 x 303 x 497

The above technical data is for reference only. We reserve the right to change them without notice.

## 9. Service

If you have any questions or need more information, please feel free to call

**Customer service on +45 6916 3200**

If you need service or to make a warranty claim, you must create a case directly in our support system. Go to the home page under SUPPORT.

## 10. Warranty

### Limited warranty

We guarantee that all parts are free of defects in materials and workmanship for a period of two years from the date of purchase. The warranty covers only material or manufacturing defects that prevent the product from being able to be installed or operated in a normal way. Defective parts will be replaced or repaired.

The warranty does not cover transportation damage, any use other than what is intended, damage caused by incorrect assembly or improper use, damage caused by impact or other error, damage caused by frost cracking or by improper storage.

The warranty becomes void if the user modifies the product.

The warranty does not include product-related damage, property damage or general operational loss.

The manufacturer's liability cannot exceed the repair or replacement of defective parts and does not include labour costs to remove and reinstall the defective part, transportation costs to and from the service centre, and all other materials necessary to carry out the repair.

**This warranty does not cover failure or malfunction as a result of the following:**

- If the unit is not installed, operated or maintained in accordance with the instruction manual supplied with the unit .
- The workmanship of any installation of the unit.
- Misuse, alteration, accident, fire, flood, lightning strike, rodents, insects, negligence or unforeseen events.
- Use of non-factory authorised parts or accessories in conjunction with the product.

**Limitation of liability**

This is the only warranty provided by the manufacturer. No one is authorised to make any other warranties on our behalf.

This warranty is in lieu of all other warranties, expressed or implied, including but not limited to any implied warranty of fitness for a particular purpose and saleability. We expressly disclaim any liability for consequential, incidental, indirect, or consequential damages resulting from any breach of the express or implied warranties.

This warranty gives you specific legal rights, which may vary by country.

**Complaints**

In the event of any warranty claim a valid purchase receipt must be presented. Read about making warranty claims in the SERVICE section.



Thank you for choosing this product.  
Please read this instruction manual before using it.